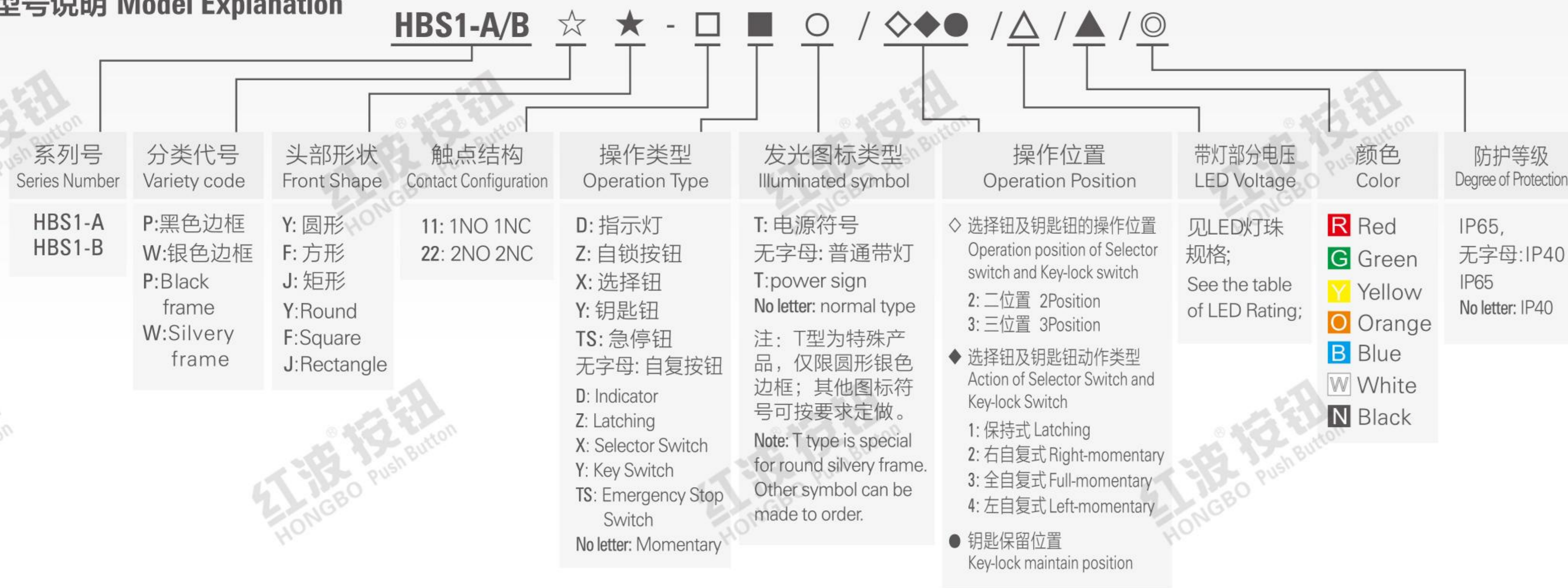


HBS1-AW&AP / HBS1-BW&BP 按钮开关系列

型号说明 Model Explanation



性能参数 Parameters

环境温度 Operating Temperature	-25℃ ~ +55℃ (无冰冻)照明开关本体周围 必须空气流通 (No freezing) Keep the air flowing around illuminated pushbutton
环境湿度 Operating humidity	45~85%RH(无结露) Non condensing
接触电阻 Contact Resistance	≤50mΩ
绝缘电阻 Insulation Resistance	≥100MΩ
介电强度 Dielectric Strength	触点与灯珠引脚之间 Contact between lamp bead pin 2000V,AC50Hz,1min 同极端子之间 Between same class terminal 1000V,AC50Hz,1min 不同极端子之间 Between different electrode terminal 2000V,AC50Hz,1min
耐振动性 Vibration Resistance	50Hz, 振幅约1.2mm
耐冲击性 Shock resistance	>10g
机械寿命 Mechanical Life	自复钮 Momentary 100万次 1,000,000 times 自锁钮、选择钮 Latching button, Selector switch 50万次 500,000 times 钥匙钮、急停钮 Key switch, E-stop switch 20万次 200,000 times
电气寿命 Electrical Life	3万次以上 Above 30,000 times
接线 Wiring	焊接线直径 Dia of welding line 2×0.8mm ² 最大铜线面积 Max copper wire area 0.75mm ² 镀金接线插片 Wiring insert 2.8×0.5mm ²
耐焊锡热 Solder heat resistance	230℃时不超过3秒
操作行程 Operating distance	(按钮)约3mm (Button)About3mm

开关额定值 Switch Rating

额定绝缘电压Ui Rated insulation voltage	250V
发热电流Ith Conventional thermal current	5A温度不超过最大额定值所允许的 电流 5A(Temperature not more than the maximum allowed continuous working current)
额定电压 Rated Voltage	12V 24V 110V 220V
额定电流 Rated current	交流 AC 50/60Hz 电阻性负载 - - 1A 0.5A 电感性负载 - - 0.7A 0.5A
	直流 DC 电阻性负载 1A 1A 0.2A 电感性负载 0.7A 0.7A 0.1A
触点材料 Contact material	银合金 Silver alloy

最小适应负载:3VAC/DC5mA(参考值)
(可使用范围取决于使用环境和负载种类)
Minimum load: 3VAC/DC 5mA(reference)
(range of use depend on operation environment and load type)

LED灯珠规格 LED Lamp Specifications

灯珠类型 Lamp Type	双向LED灯珠(交直流通用) Bi-directional LED lamp (AC,DC Universal)
额定电压 Rated Voltage	1.8V、2.8V、6V、12V、24V、36V、110V、220V
额定电流 Rated Current	约20mA about 20mA
发光颜色 Color	Red Green Yellow Orange Blue White
寿命 Life	50000小时(参考值) 50000 hours (reference value)



注: 如需单向直流LED灯珠可定做; 其他电压规格可按要求定做。
Note: Unidirectional DC LED lamp can be customized if needed; other voltage specifications could be special made

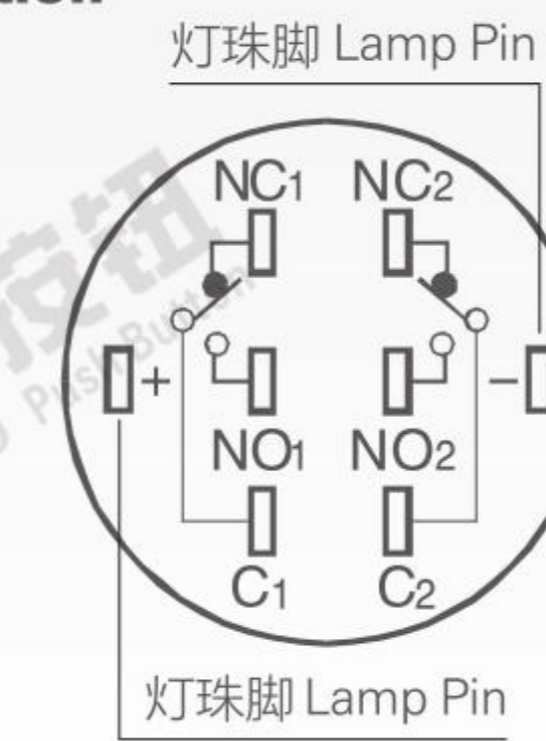
开关结构说明 Switch Structure Explanation

型式Type	符号Symbol	示意图Diagram	说明Explanation
C	NO NC		具有三个端子的单断点快动转换触头开关 Single breakpoint snap-action contacts switch with three terminals.

HBS1-AW&AP / HBS1-BW&BP Series Pushbutton Switches



引脚说明 Pin Description



- 最多可配置两组开关;
 - C1、NO1、NC1和C2、NO2、NC2分别为为一组开关;
 - C脚为公用脚, NO脚为常开脚, NC脚为常闭脚;
 - +、-脚为灯珠引脚, 常规灯珠配置无正负极区分;
 - 灯珠与开关相对独立, 可通过开关或外围电路控制灯珠状态。
- Can be configured up to two sets of switches.
 - C1, NO1, NC1 and C2, NO2, NC2, are a set of switches respectively;
 - Pin C is utility pin and pin NO is normally open pin, pin NC is normally closed;
 - +, - pins are LED lamp pins, normal lamp configuration has no differentiate between positive and negative;
 - LED and switch pin are separated, but switch and external circuit can control the LED state by connecting the LED pin.

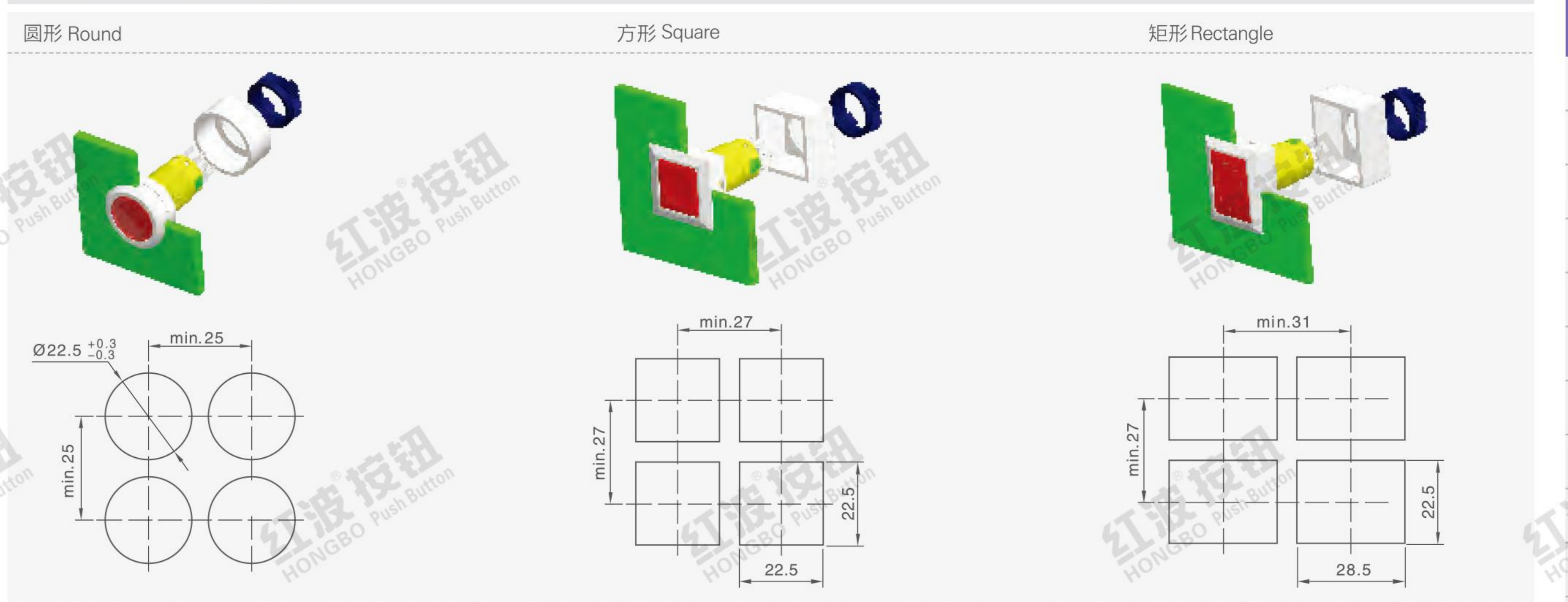
选择钮、钥匙钮操作位置 Operation position of Selector switch and Key switch

区分 Sort	复位方式 Reset Style		钥匙拔出位置/Key out Positon						
	自锁 Latching	自复 Momentary	A	B	C	D	E	F	G
2段 2Position	⊗	⊙	⊗	⊗	⊗	⊗	⊗	⊗	⊗
代号 Code	21	23	A	B	C	D	E	F	G
3段 3Position	⊕	⊖	⊕	⊖	⊕	⊖	⊕	⊖	⊕
代号 Code	31	32 34 33	A	B	C	D	E	F	G

选择/钥匙开关旋转角度90°是基本 Selector/Key switches basic rotation angle 90°



安装孔尺寸 Mounting Hole Size



安装效果预览 Installation Effect Preview

